



Thank You!

You have successfully downloaded your document from Workbenchmagazine.com. Below are some tips for Trouble-Free Printing

- 1)** Clear printer memory. If you are unable to print this document, turn off your printer for at least 15 seconds and try again.
- 2)** Print two or three pages at a time. If clearing the printer memory didn't help, try printing only two or three pages at one time, rather than sending the entire file
- 3)** If a document is required to be at an accurate scale set the page scaling option to "none" in your printer settings.
- 4)** Get advanced printer help. Visit Adobe Support for instructions in troubleshooting common printer problems.

<http://www.adobe.com/support/techdocs/316508.html>

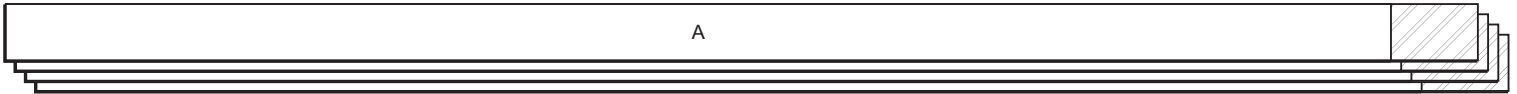
MATERIALS LIST



A	CROSS BEAM (4)	1 1/2 x 5 1/2 -135 1/2
B	SLAT (32)	1 1/2 x 1 1/2 - 30
C	SUPPORT ARM (4)	1 1/2 x 5 1/2 - 30
D	SUPPORT BACK (2)	1 1/2 x 5 1/2 - 32
E	FILLER BLOCK (2)	1 1/2 x 5 1/2 - 5 1/2
F	DIAGONAL SUPPORT (2)	1 1/2 x 7 1/4 - 31 1/2 (BLANK SIZE)

CUTTING DIAGRAM

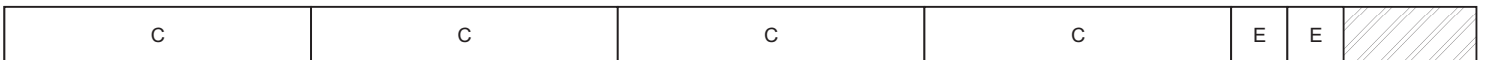
2 x 6 x 12' - CEDAR (FOUR BOARDS)



2 x 6 x 12' - CEDAR (THREE BOARDS)



2 x 6 x 12' - CEDAR

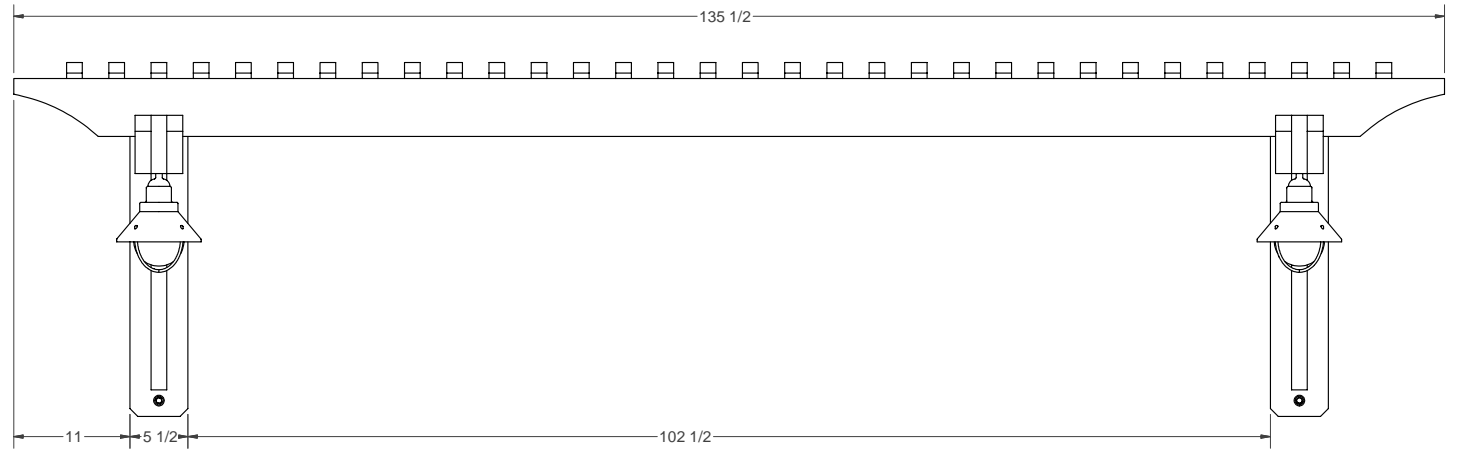
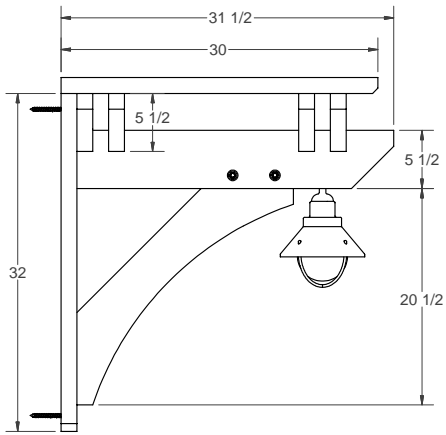
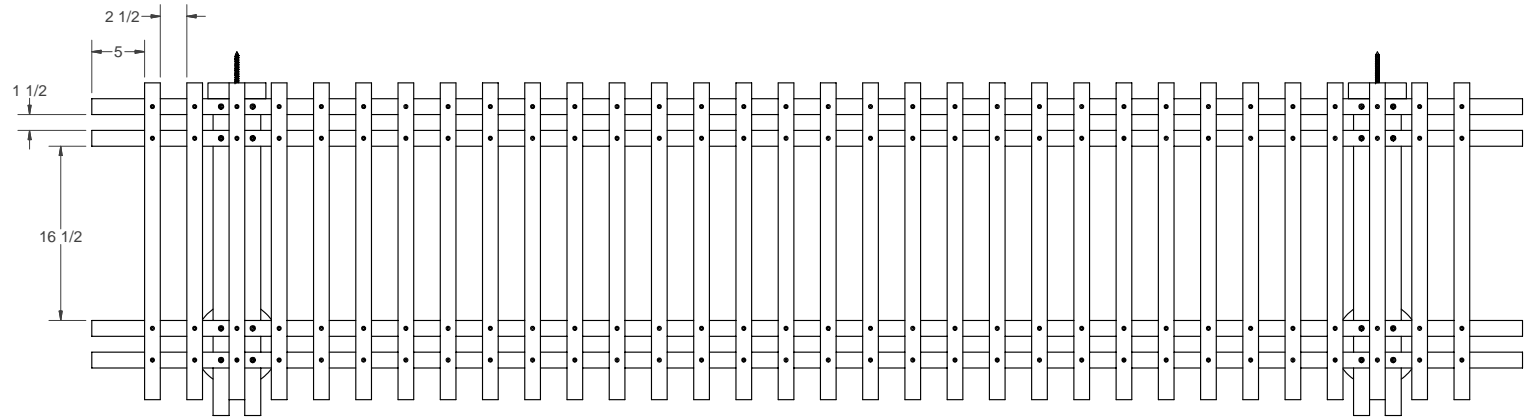


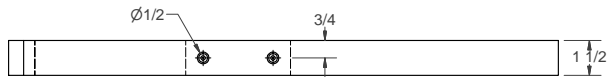
2 x 6 x 6' - CEDAR



2 x 8 x 6' - CEDAR







ATTACH WITH #8 x 2 1/2"
STAINLESS STEEL Fh. WOODSCREWS

