



Thank You!

You have successfully downloaded your document from Workbenchmagazine.com. Below are some tips for Trouble-Free Printing

- 1)** Clear printer memory. If you are unable to print this document, turn off your printer for at least 15 seconds and try again.
- 2)** Print two or three pages at a time. If clearing the printer memory didn't help, try printing only two or three pages at one time, rather than sending the entire file
- 3)** If a document is required to be at an accurate scale set the page scaling option to "none" in your printer settings.
- 4)** Get advanced printer help. Visit Adobe Support for instructions in troubleshooting common printer problems.

<http://www.adobe.com/support/techdocs/316508.html>

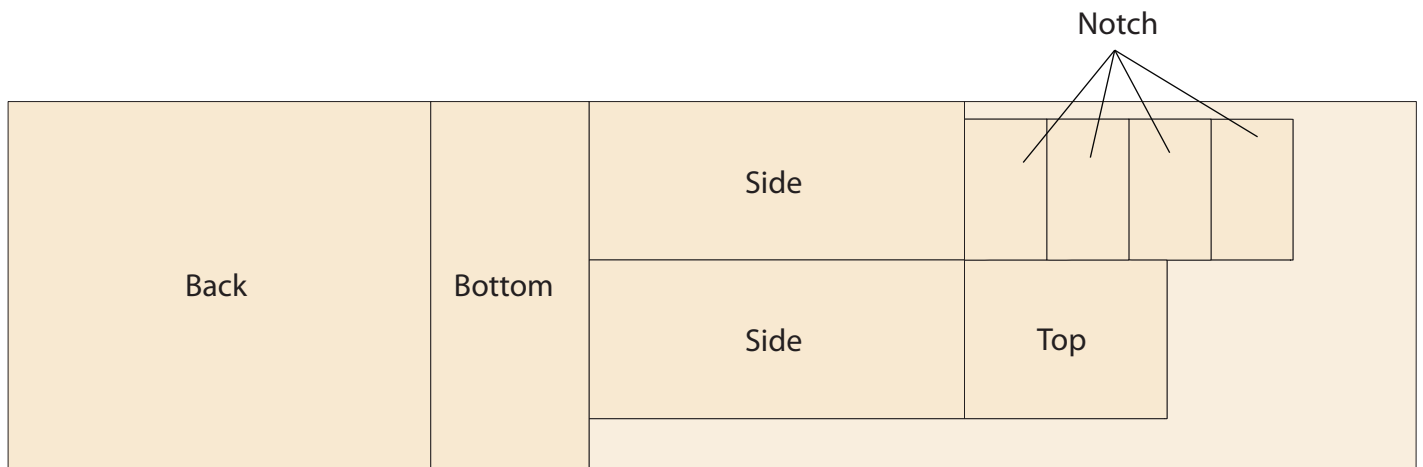
workbench[®] Contemporary Garden Bench

Issue 308 Volume 64 Number 4

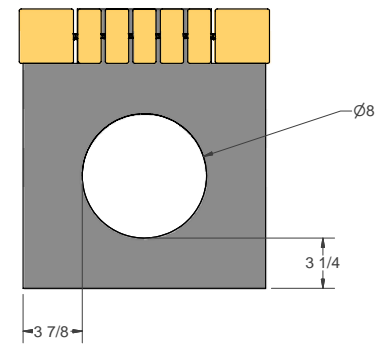
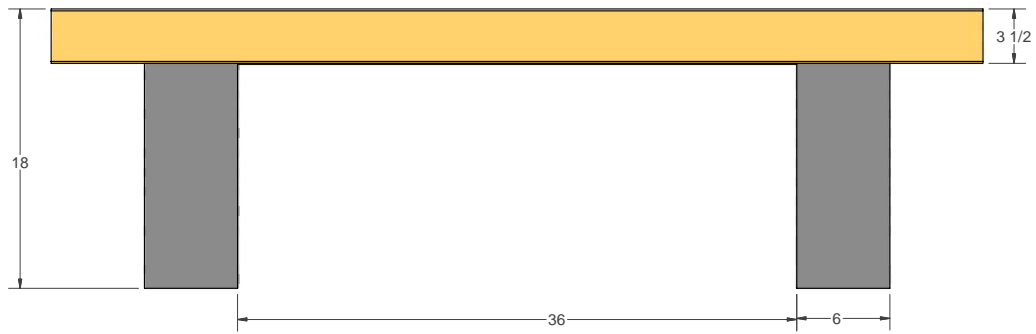
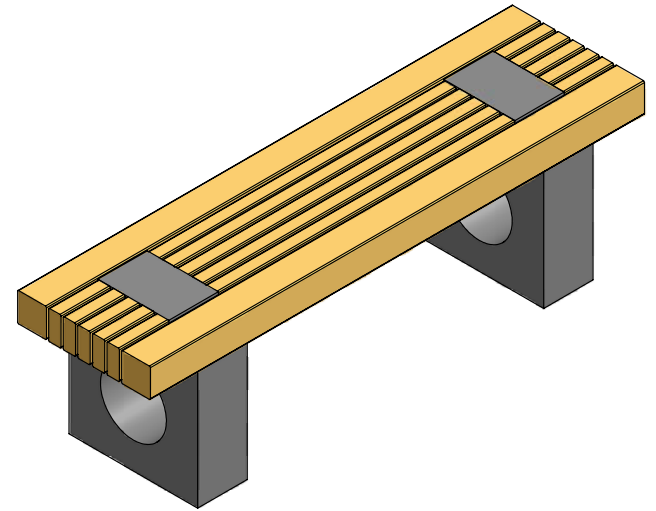
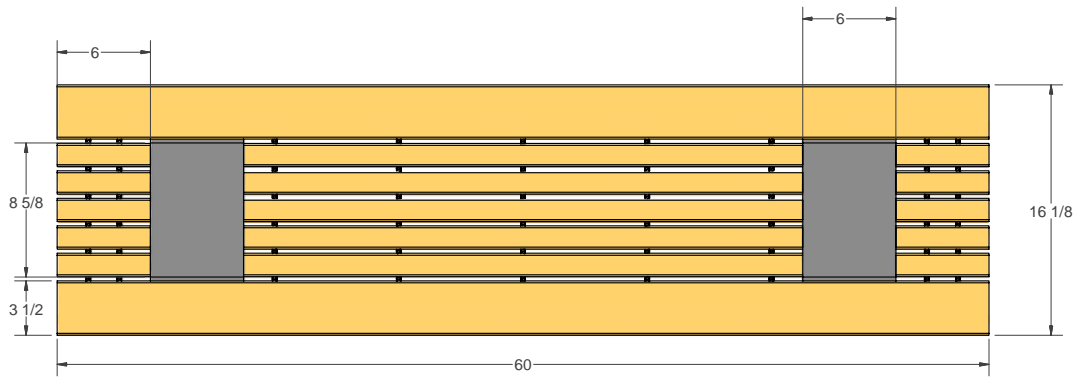
August 2008

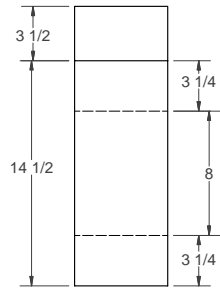
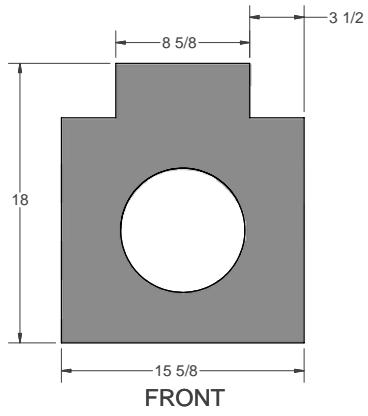


CUTTING DIAGRAM

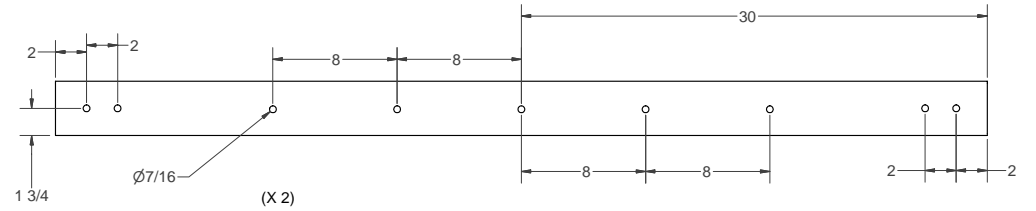
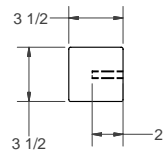


$\frac{3}{4}$ " x 16" x 60" Melamine Shelf Panel

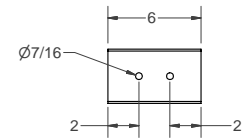
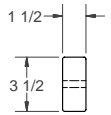
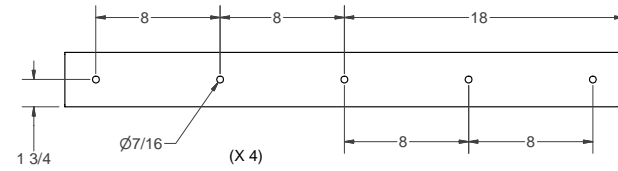
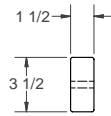




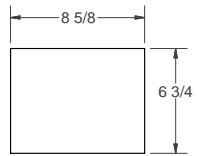
3/8" x 12" ALL THREAD
(X 9)



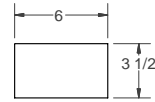
NOTE: USE 3/8" WASHERS
FOR SEAT BOARD SPACERS.
APPROX. 162 NEEDED.



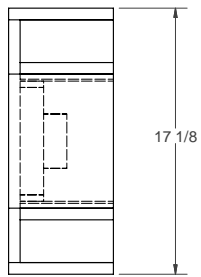
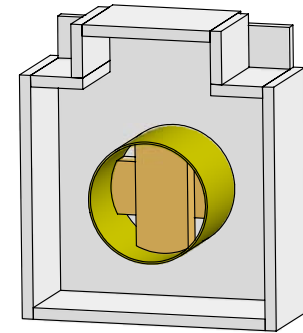
(X 8)



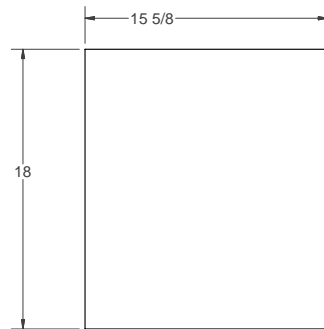
TOP



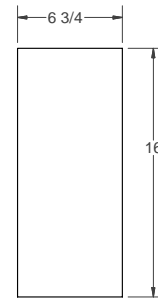
NOTCH
(X4 PER FORM)



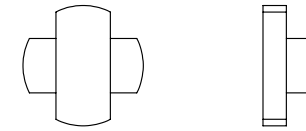
TOP



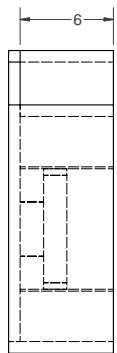
BACK



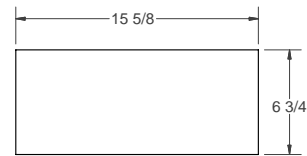
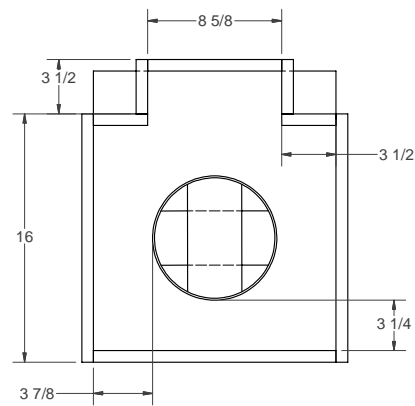
SIDE (X2)



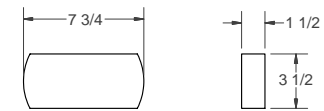
TUBE SUPPORT ASSEMBLY



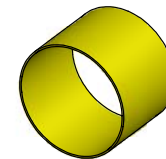
SIDE



BOTTOM



TUBE SUPPORT



SONOTUBE

Ø8 - OUTSIDE DIMENSION

