



# Thank You!

---

**You have successfully downloaded your document from Workbenchmagazine.com. Below are some tips for Trouble-Free Printing**

- 1)** Clear printer memory. If you are unable to print this document, turn off your printer for at least 15 seconds and try again.
  
- 2)** Print two or three pages at a time. If clearing the printer memory didn't help, try printing only two or three pages at one time, rather than sending the entire file
  
- 3)** If a document is required to be at an accurate scale set the page scaling option to "none" in your printer settings.
  
- 4)** Get advanced printer help. Visit Adobe Support for instructions in troubleshooting common printer problems.

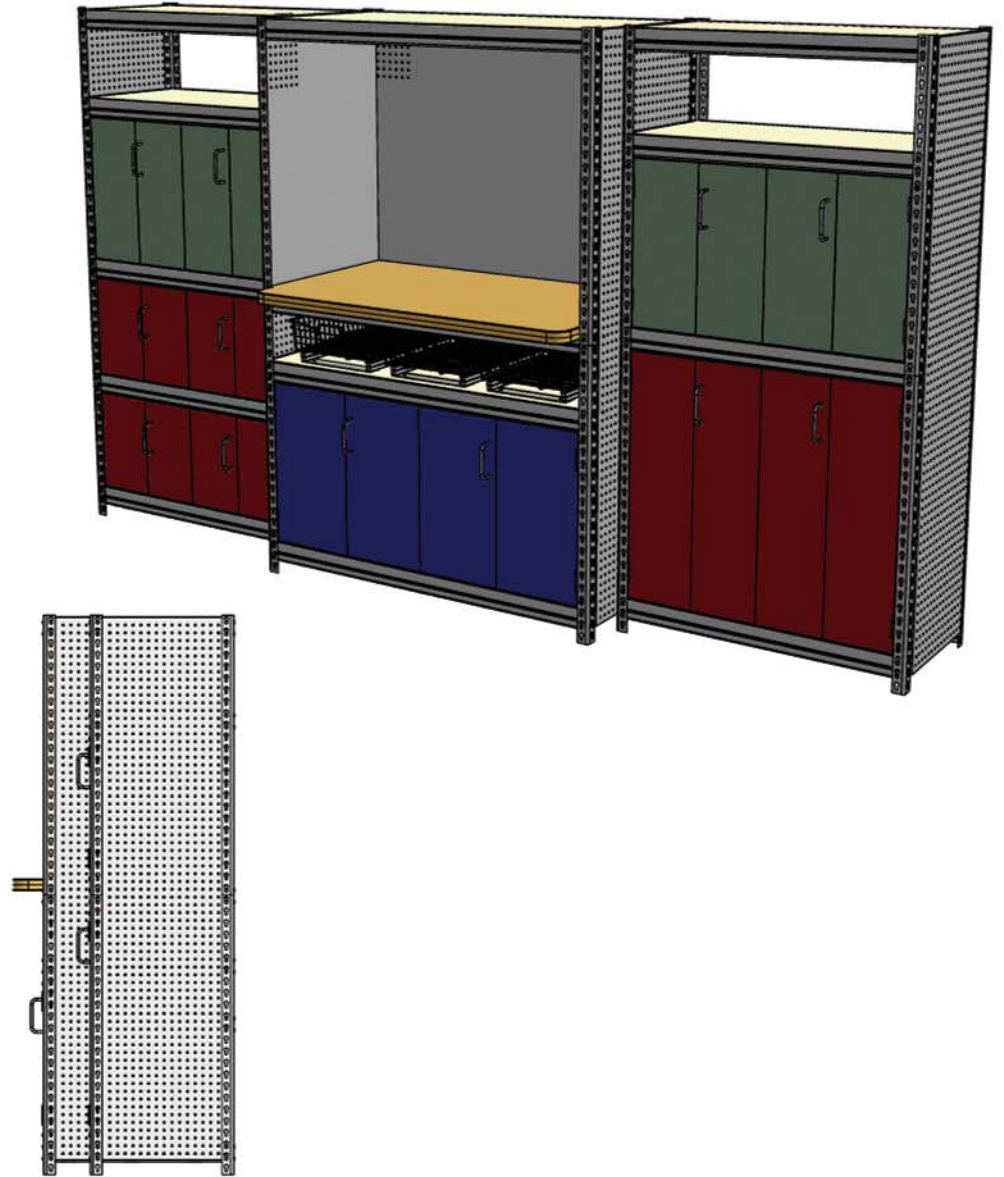
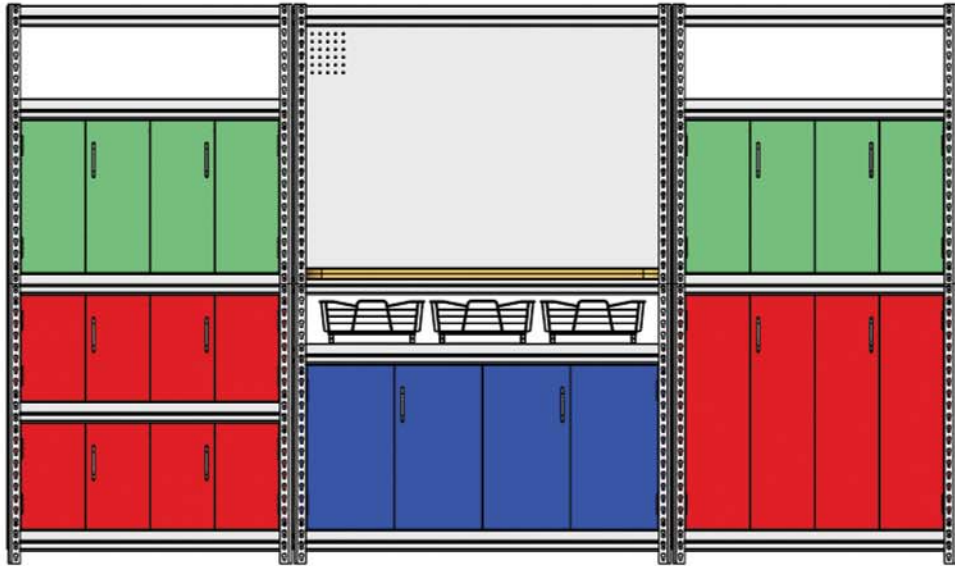
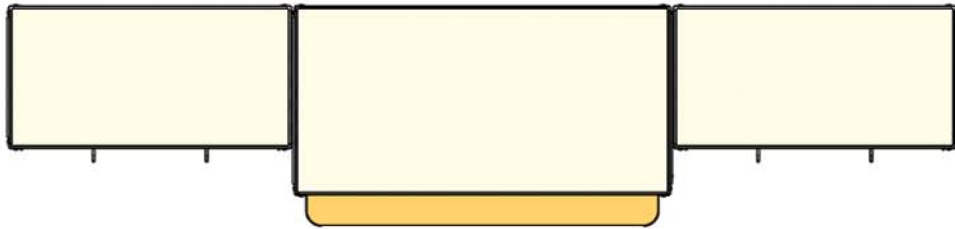
<http://www.adobe.com/support/techdocs/316508.html>

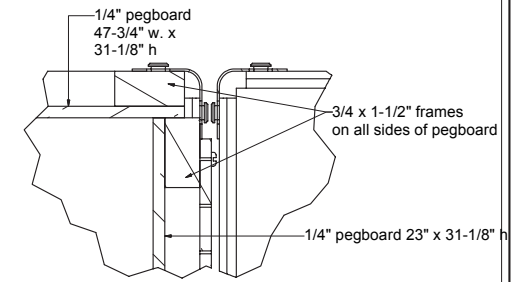
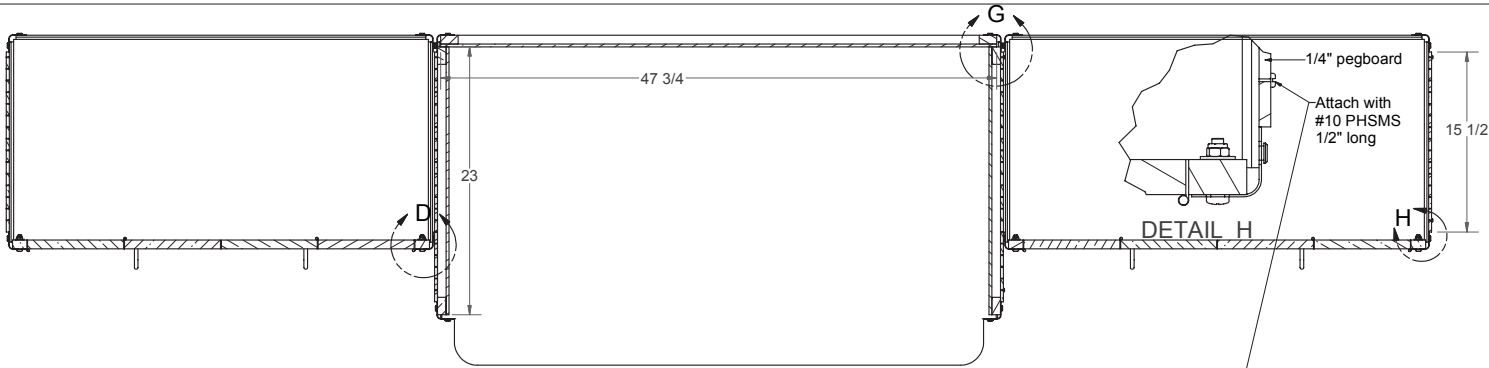
# workbench® Garage Storage System

Issue 304 Volume 63 Number 6

December 2007

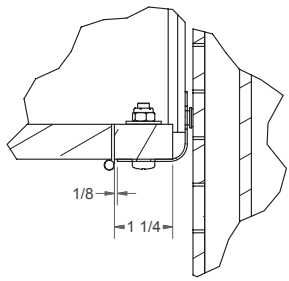






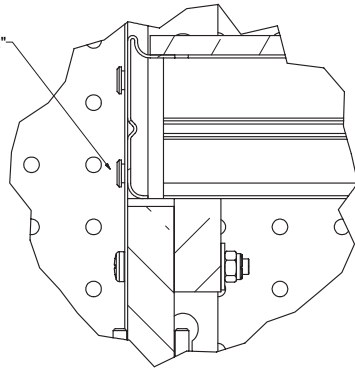
DETAIL G

SECTION C-C

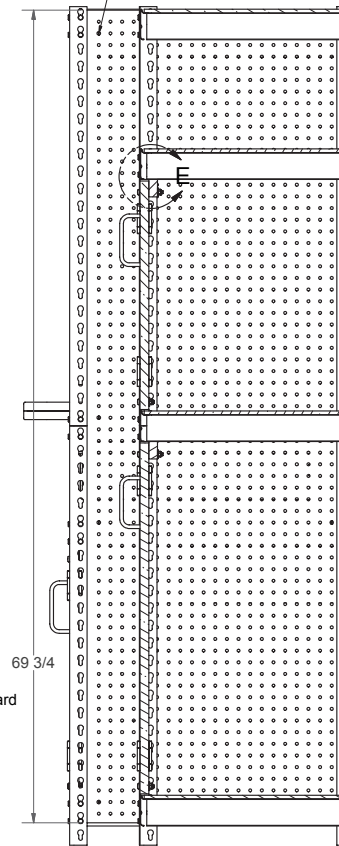


DETAIL D

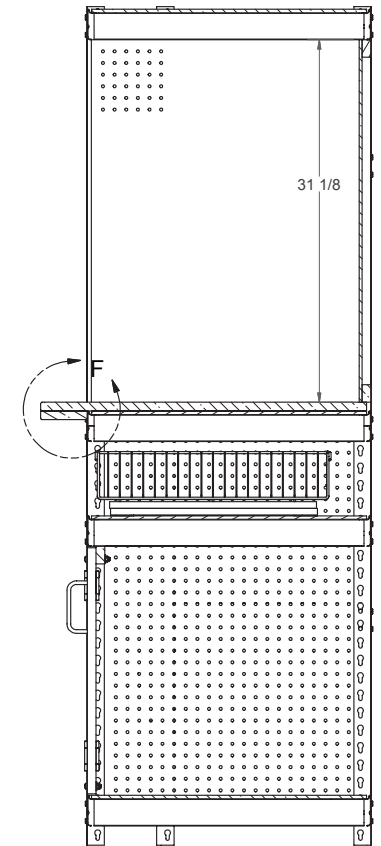
3/4 x 1-1/2"  
door stop



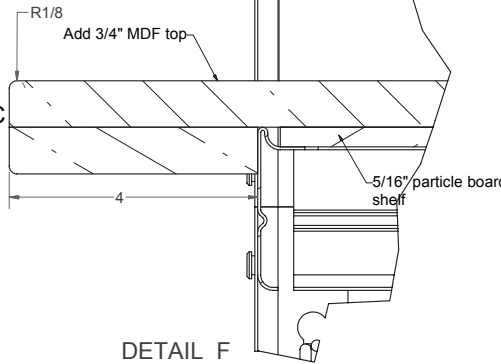
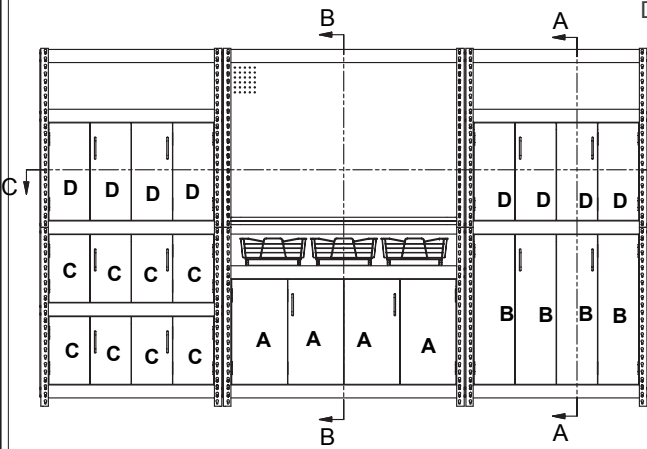
DETAIL E



SECTION A-A



SECTION B-B



DETAIL F

