



Thank You!

You have successfully downloaded your document from Workbenchmagazine.com. Below are some tips for Trouble-Free Printing

- 1)** Clear printer memory. If you are unable to print this document, turn off your printer for at least 15 seconds and try again.

- 2)** Print two or three pages at a time. If clearing the printer memory didn't help, try printing only two or three pages at one time, rather than sending the entire file

- 3)** If a document is required to be at an accurate scale set the page scaling option to "none" in your printer settings.

- 4)** Get advanced printer help. Visit Adobe Support for instructions in troubleshooting common printer problems.

<http://www.adobe.com/support/techdocs/316508.html>

MATERIALS LIST



MATERIAL LIST				
Part	Qty	Size	Material	
BASE				
A	BASE ENDS	2	$\frac{3}{4}$ " x $19\frac{1}{8}$ " x $17\frac{1}{4}$ "	MDF
B	BASE DIVIDER	1	$\frac{3}{4}$ " x $19\frac{1}{8}$ " x $17\frac{1}{4}$ "	MDF
C	BASE BACK	1	$\frac{3}{4}$ " x $17\frac{1}{4}$ " x 33"	MDF
D	STRETCHERS	2	$\frac{3}{4}$ " x 3" x $16\frac{1}{8}$ "	MDF
LOCKER UNIT				
E	LOCKER SIDES	2	$\frac{3}{4}$ " x 11" x 42"	MDF
F	LOCKER BACK	1	$\frac{3}{4}$ " x 33" x 42"	MDF
G	BACK OVERLAY	1	$\frac{1}{4}$ " x 33" x 42"	Beaded Ply.
H	SEAT PANEL	1	$\frac{3}{4}$ " x $20\frac{3}{4}$ " x 36"	MDF
I	LOCKER TOP	1	$\frac{3}{4}$ " x 12" x 36"	MDF
CUBBY UNIT				
J	CUBBY ENDS	2	$\frac{3}{4}$ " x 8" x $11\frac{3}{4}$ "	MDF
K	CUBBY DIVIDERS	2	$\frac{3}{4}$ " x 8" x 11"	MDF
L	CUBBY BACK	1	$\frac{3}{4}$ " x 8" x 33"	MDF
M	CUBBY TOP	2	$\frac{3}{4}$ " x 12" x 36"	MDF

*These pieces are sized to overhang locker by $\frac{3}{4}$ " on each end. Shorten accordingly if you will be joining multiple lockers side by side.

HARDWARE:

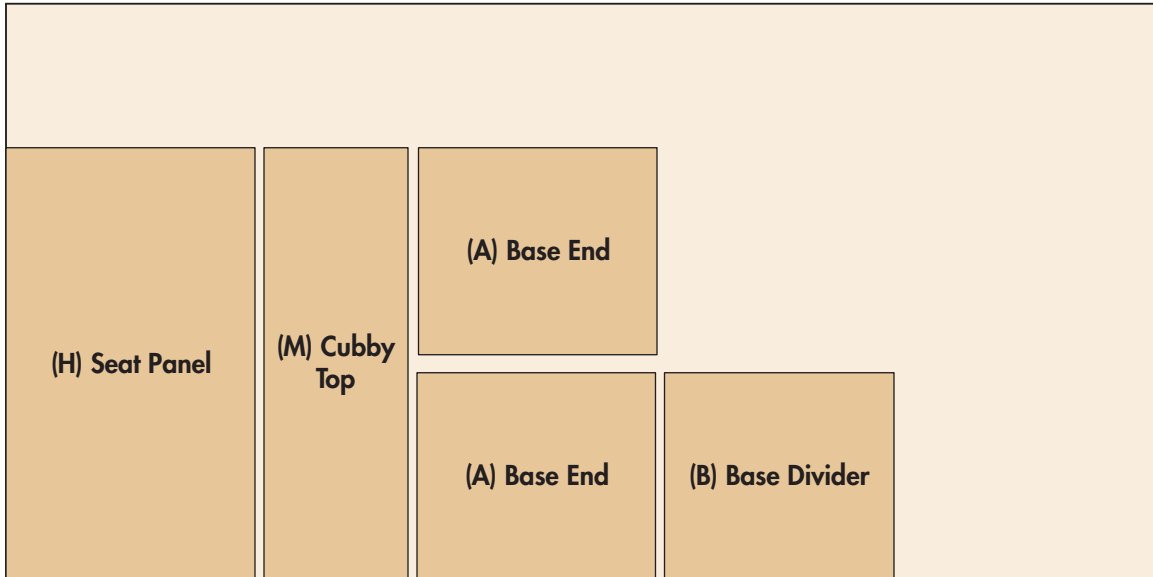
- (45) $1\frac{1}{4}$ " Pocket Screws
- (16) 7mm x 50mm Connector Screws
- (20) $\frac{5}{8}$ " Wire Brads
- (4) #12 x 3" Fh Woodscrews
- (2) Coat Hooks with Screws
- (20) $\frac{5}{8}$ " Wire Brads

CUTTING DIAGRAM

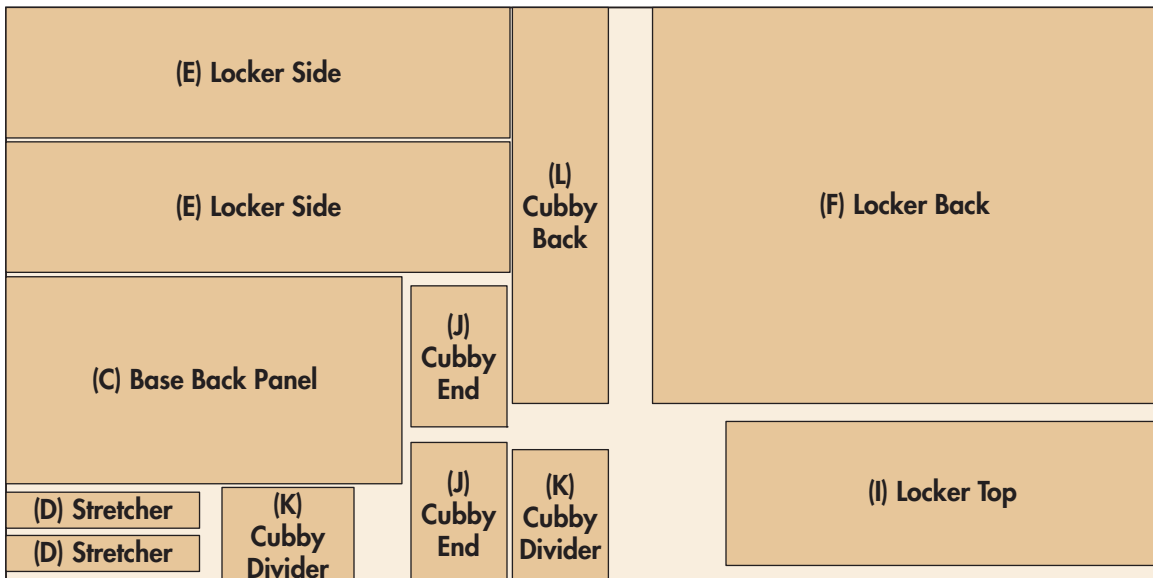


$\frac{3}{4}$ " x 48" x 96" MDF

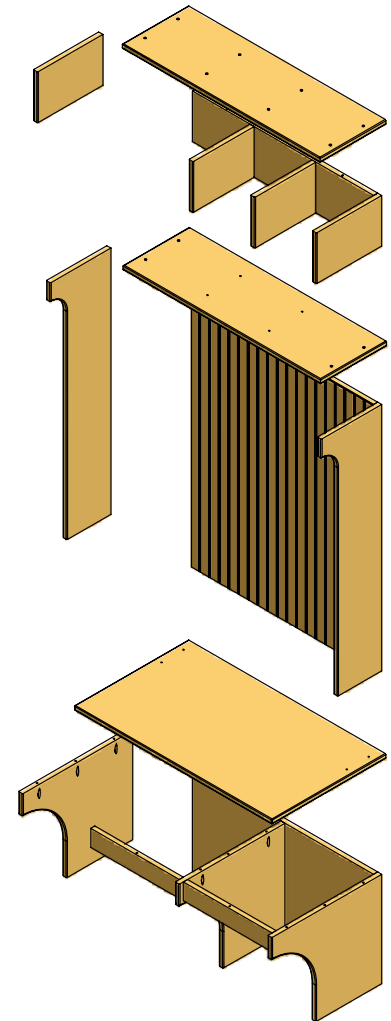
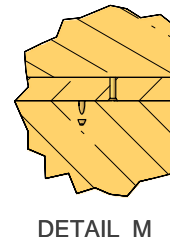
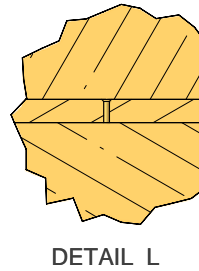
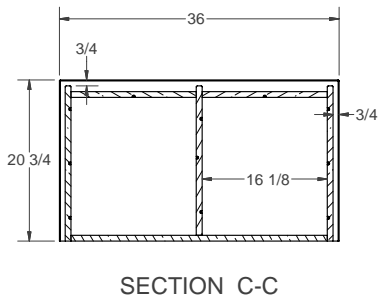
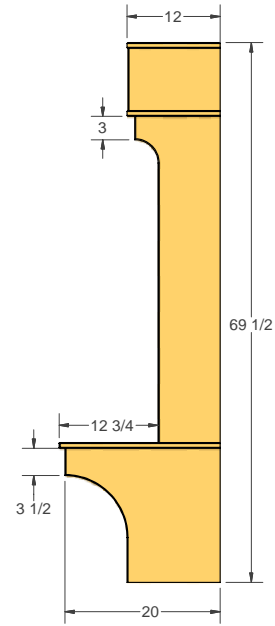
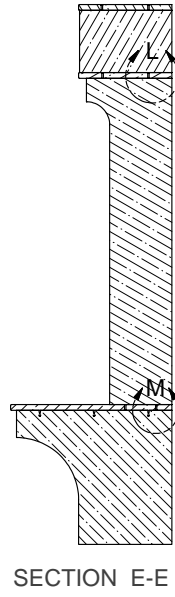
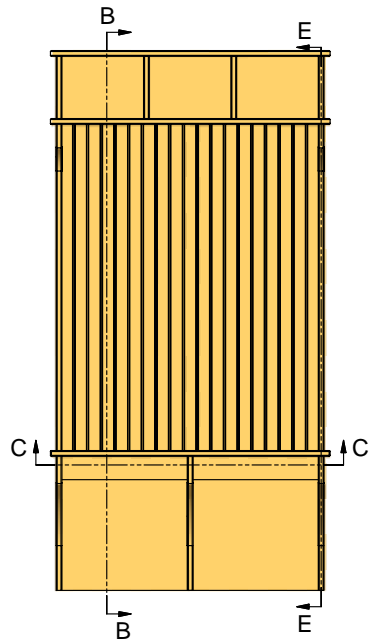
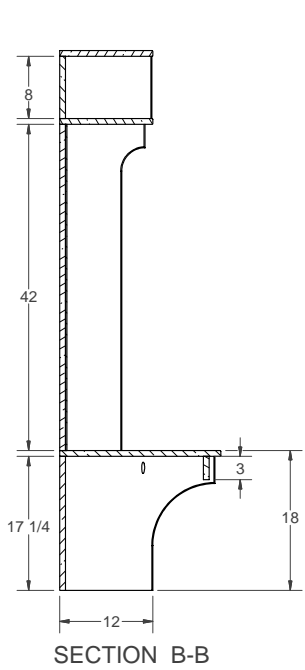
CUTTING DIAGRAM

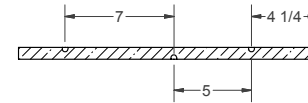


$\frac{3}{4}$ " x 48" x 96" MDF

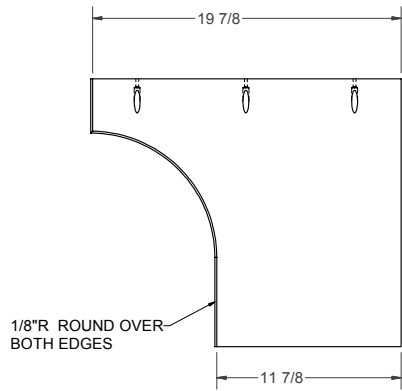


$\frac{3}{4}$ " x 48" x 96" MDF

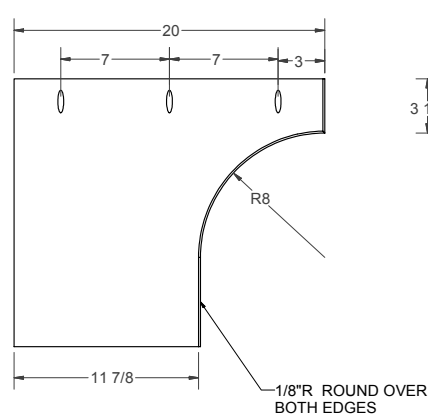




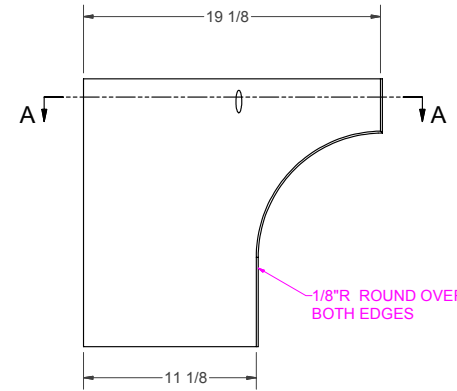
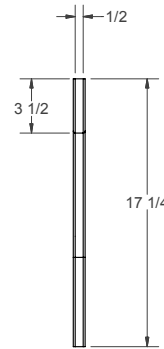
SECTION A-A



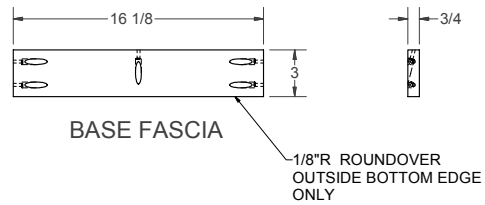
LEFT PANEL



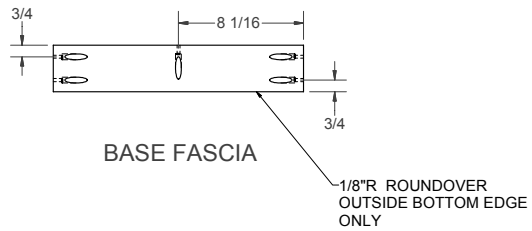
RIGHT PANEL



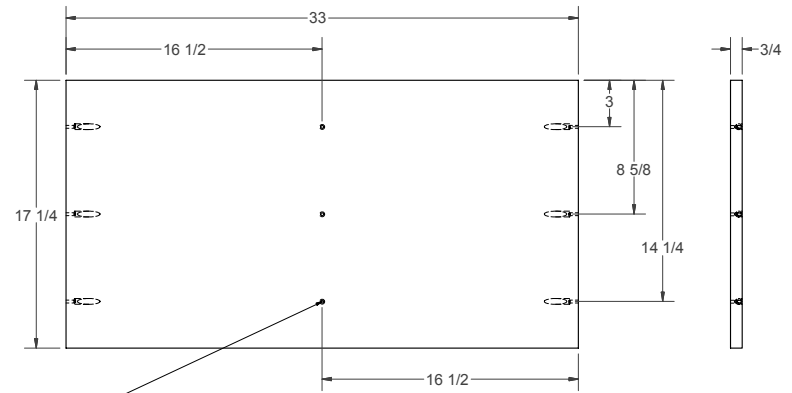
CNTR PANEL



BASE FASCIA

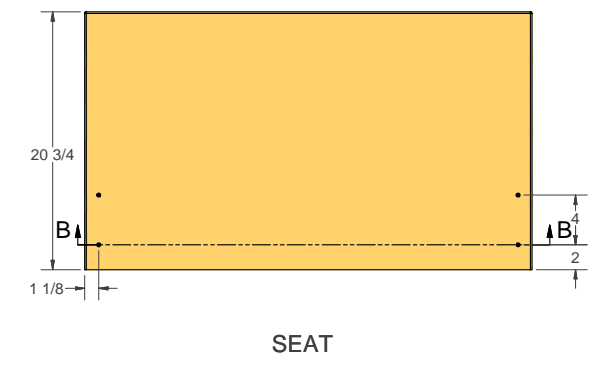
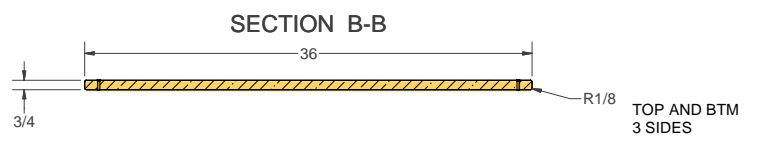
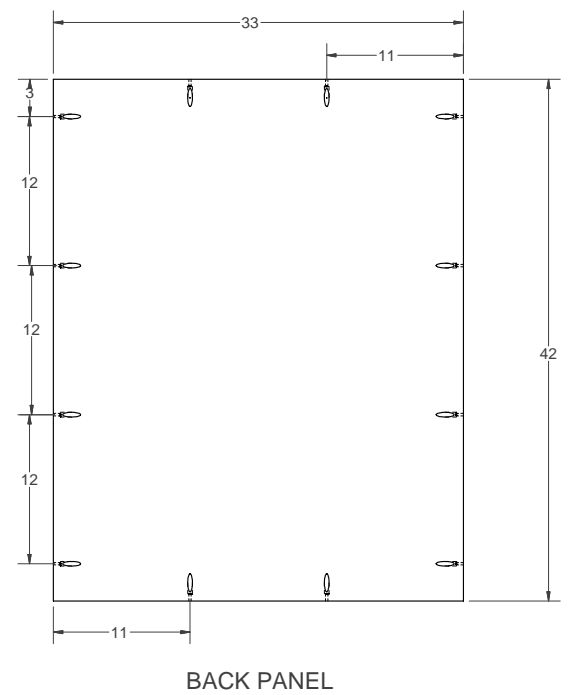
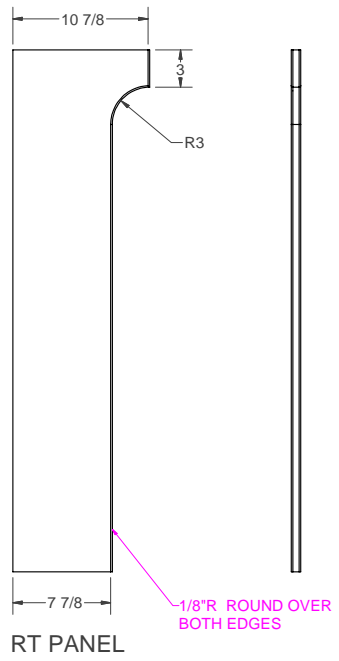
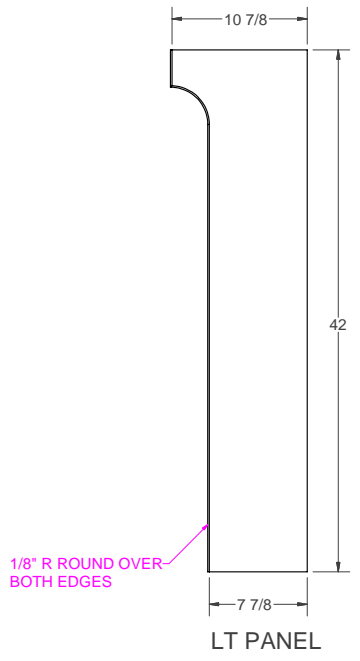


BASE FASCIA

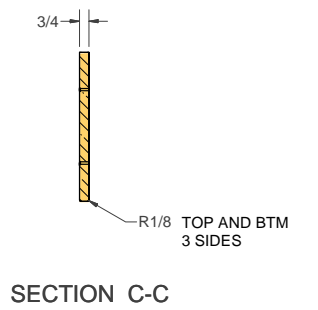
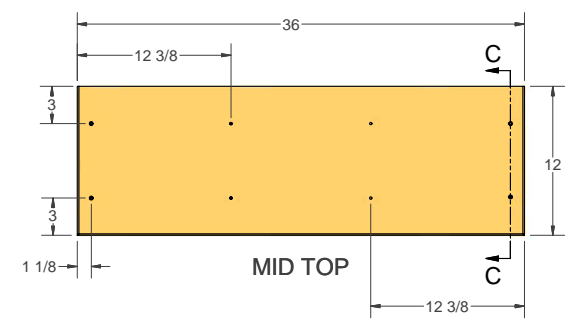


COUNTERSINK FOR
7 x 50mm CONFIRMAT

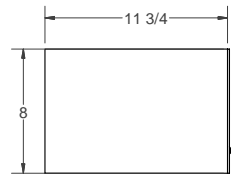
BASE BACK PANEL



NOTE:
COUNTERSINK FOR
7 x 50mm CONFIRMAT

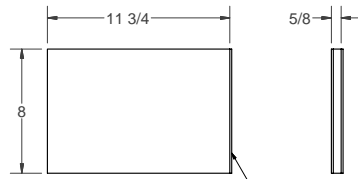


WORKBENCH #303	MUDROOM LOCKER	DONOVAN	DATE: 6.18.07	SHEET: 3
----------------	----------------	---------	---------------	----------



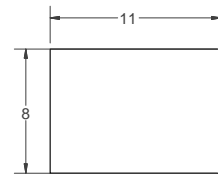
LT PANEL

1/8" R ROUND OVER
BOTH EDGES



RT PANEL

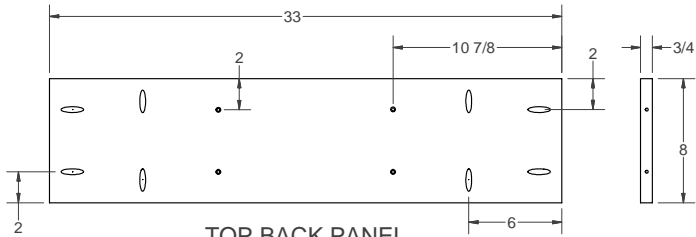
1/8" R ROUND OVER
BOTH EDGES



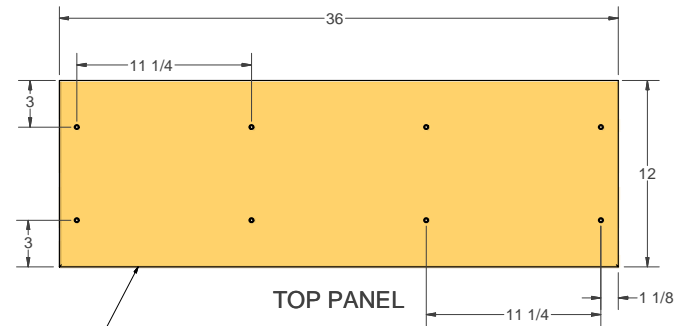
CNTR PANEL

1/8" R ROUND OVER
BOTH EDGES

NOTE:
COUNTERSINK FOR
7 x 50mm CONFIRMAT

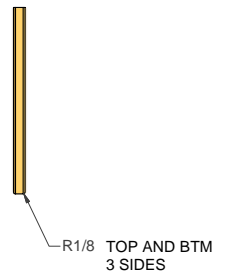


TOP BACK PANEL

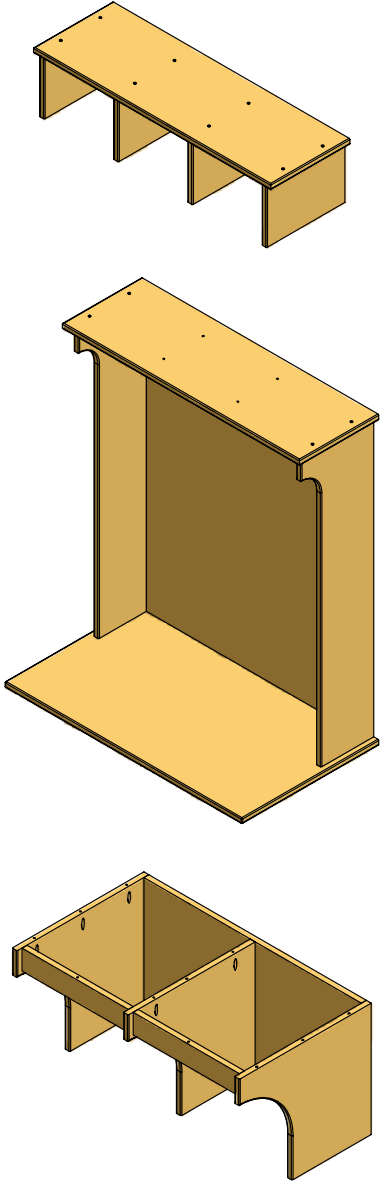


TOP PANEL

1/8" R ROUND OVER
BOTH EDGES 3 SIDES



R1/8 TOP AND BTM
3 SIDES



ASSEMBLY SEQUENCE

