



Thank You!

You have successfully downloaded your document from Workbenchmagazine.com. Below are some tips for Trouble-Free Printing

- 1)** Clear printer memory. If you are unable to print this document, turn off your printer for at least 15 seconds and try again.

- 2)** Print two or three pages at a time. If clearing the printer memory didn't help, try printing only two or three pages at one time, rather than sending the entire file

- 3)** If a document is required to be at an accurate scale set the page scaling option to "none" in your printer settings.

- 4)** Get advanced printer help. Visit Adobe Support for instructions in troubleshooting common printer problems.

<http://www.adobe.com/support/techdocs/316508.html>

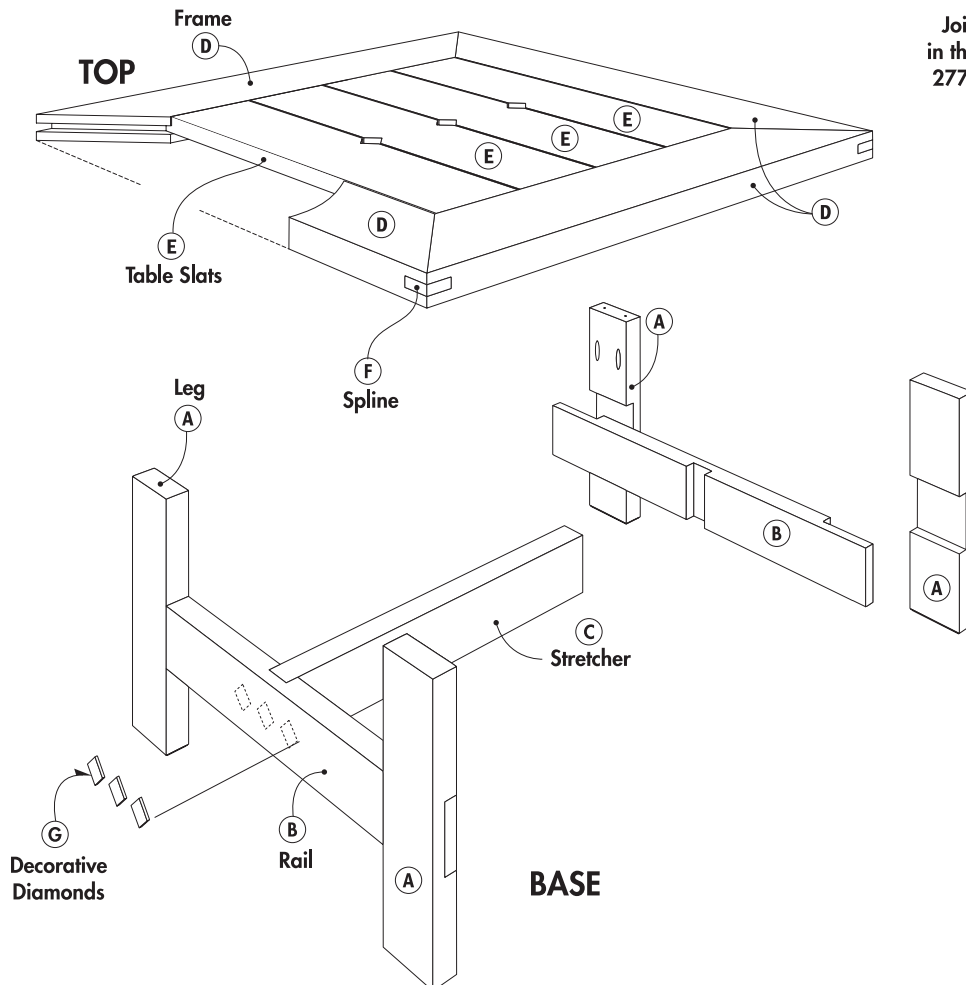
MATERIAL AND HARDWARE LIST

A (4) Leg (2x4)	$1\frac{1}{2}$ " x $3\frac{1}{2}$ " x $14\frac{1}{2}$ "
B (2) Rail (2x4)	$1\frac{1}{2}$ " x $3\frac{1}{2}$ " x $25\frac{5}{8}$ "
C (1) Stretcher (2x4)	$1\frac{1}{2}$ " x $3\frac{1}{2}$ " x $24\frac{7}{8}$ "
D (4) Frame (2x6)	$1\frac{1}{2}$ " x $5\frac{1}{2}$ " x $25\frac{5}{8}$ "
E (4) Table Slats (1x6 decking)	$1\frac{1}{16}$ " x $5\frac{1}{2}$ " x $23\frac{5}{8}$ "
F (4) Spline (1x8)	$\frac{1}{2}$ " x $1\frac{7}{8}$ " x $7\frac{1}{2}$ "
G (6) Decorative Diamonds (1x8)	$\frac{1}{4}$ " x 1 " x 1 "

HARDWARE

- (10) #10 x $2\frac{1}{2}$ " Stainless Steel Screws
- (8) $2\frac{1}{2}$ " Pocket Screws
- (8) Pocket Screw Plugs
- (8) 3d Galvanized Nails
- (4) $\frac{3}{8}$ " Wood plugs, $\frac{5}{16}$ " long

PATIO TABLE CONSTRUCTION VIEW



Joinery details can be found
in the Patio Set article of issue
277 of Workbench Magazine
(Pages 28-37)

CUTTING DIAGRAM

